

Rotary ironers
for the perfect laundry finish



Optimum laundry care, perfect laundry finish



Washing, drying and ironing – with Miele you will find everything you need for the very best in laundry care. Co-ordinated washer extractors, tumble dryers and rotary ironers work together for superlative performance and results in a wide range of applications.

Systematic laundry care

The new rotary ironers from Miele are the perfect complement to high-performance Miele washer extractors and tumble dryers. Miele has the ideal solution in terms of size and performance for every professional situation: washing, drying and ironing – all under one roof, in legendary Miele quality, for professional, economical laundry care.

Perfect washing, perfect finish

The Miele system offers excellent laundry care for every stage:

- Washer extractors with a very high G-factor for maximum spin performance so that laundry is ready for drying.
- PROFITRONIC controls on the washer extractors and tumble dryers for complete, accurate programming to suit the fabrics.
- Individual programmes with freely programmable controls.
- Application based programme packages for reliable, time-saving washing and drying.
- Tumble dryers with the AIR RECYCLING PLUS system (patent pending, WO 2005/040493) and digital residual moisture monitoring for the perfect laundry finish.

Laundry care from start to finish

The new washer extractors and tumble dryers all feature the patented MIELE HONEYCUMB DRUM with its sculptured surface, for careful laundry care. The same surface design is now to be found on the feed-out table on the new rotary ironers, which improves the cooling of the fabrics and helps to keep them crease-free.

Perfect laundry care from start to finish – typically Miele.

The right rotary ironer for every situation

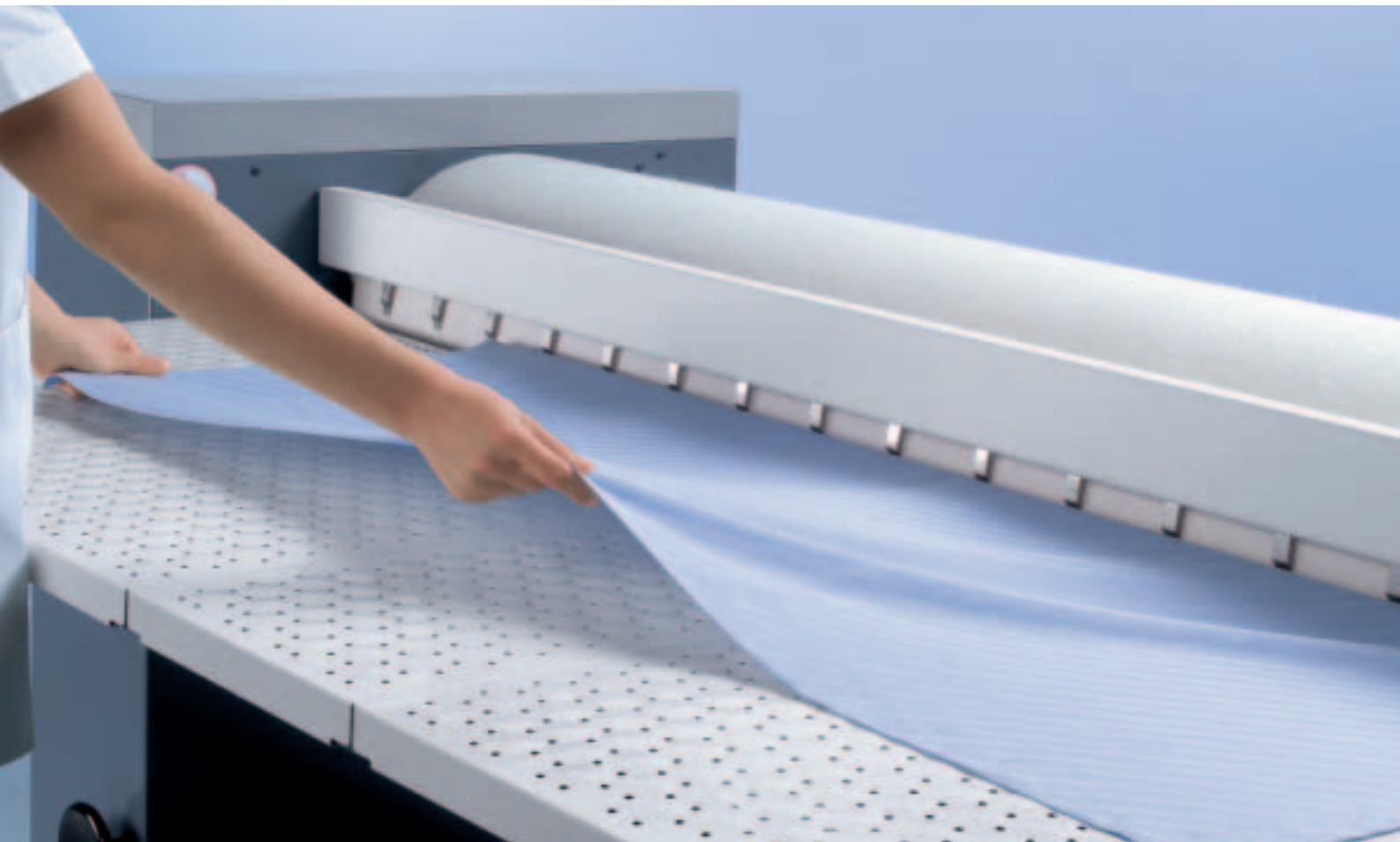
For anyone requiring perfect laundry and professional ironing results, the new Miele rotary ironers offer the ideal solution in every size, efficiently tackling everything in the ironing basket.

The most demanding of textiles and fabrics, such as quality bedlinen in five-star hotels, can be as conveniently and easily processed as the larger volumes of laundry produced by residential homes and hospitals. And Miele also offers a range of rotary ironers for smaller laundry operations tailored to the quantity of laundry being processed and to customer need.

Superior Miele laundry finish – for perfectly processed laundry with a feel-good factor

All under one roof

Miele offers everything you need for managing your laundry. For decades Miele has spearheaded the development of laundry machines and processes. And this experience is at the root of the design and features of the new Miele rotary ironers, washer extractors and tumble dryers. The practical advantages of being able to source all your laundry machines from Miele are obvious: in the planning phase of a laundry, the customer can take advantage of Miele's legendary expertise. And from supply and fit to a nationwide network of Miele service technicians you can rest assured that everything is on hand to ensure that your machines continue to work efficiently and smoothly.

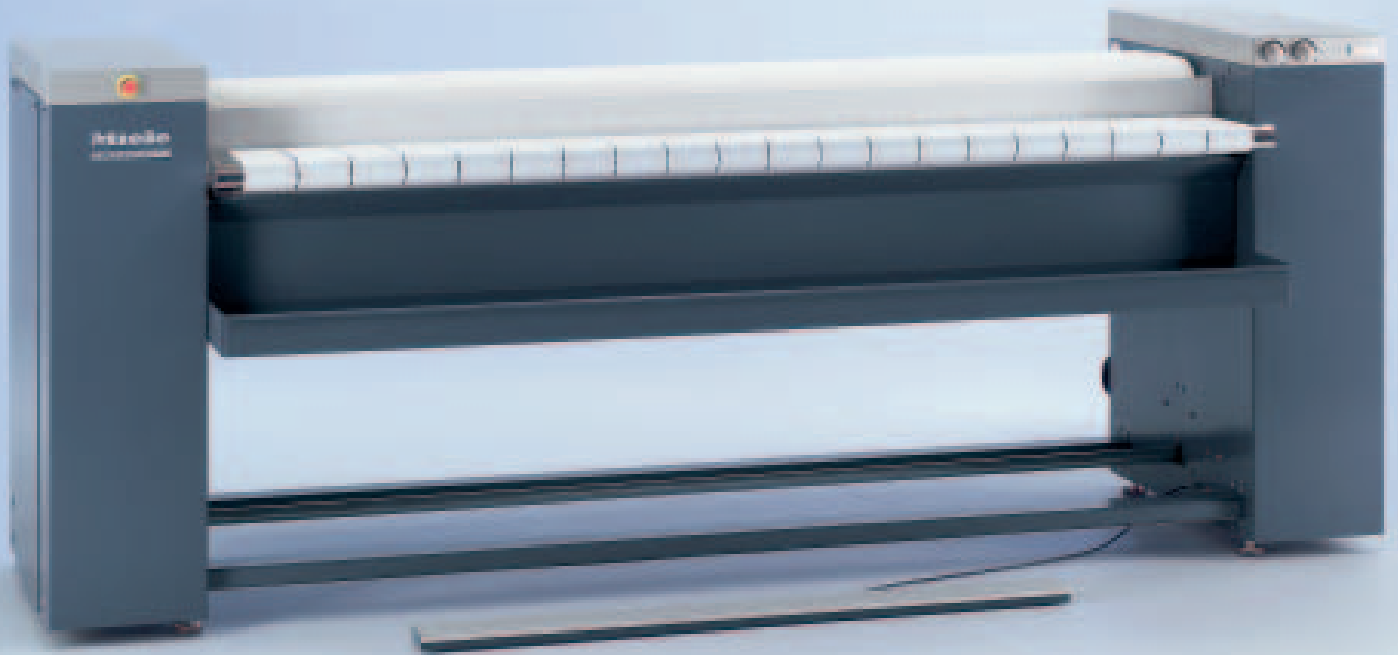


Carefully washed and dried
perfectly ironed



The new rotary ironers PM 1318, PM 1418, PM 1421 Residual moisture level 25-50%

Miele rotary ironers complete the picture with high-performance ironers that are space efficient and easy to use.



Your first choice for a perfect laundry finish

The new Miele PM rotary ironers were developed for ease of use as part of a complete Miele laundry package. With this in mind, we have developed the new EasyFold table based on the technology used for the Miele honeycomb drum.

The table has a honeycomb sculptured, perforated surface.

The perforations at the points where hexagons meet induce rising thermal currents, cooling laundry on the feed-out table. The gentle flow of air through the feed-out table also stabilises the finish on laundry.

These and many more innovations make the new PM rotary ironers your first choice for a perfect laundry finish – with optimum results, exceptional convenience and economical to run.

PM 1318

- Roller diameter 300 mm
- Roller length 1750 mm
- Electric or gas heating
- Output up to **75 kg/hour** with 25% residual moisture
- Output up to **45 kg/hour** with 50% residual moisture

PM 1418

- Roller diameter 365 mm
- Roller length 1750 mm
- Electric or gas heating
- Output up to **90 kg/hour** with 25% residual moisture
- Output up to **54 kg/hour** with 50% residual moisture

PM 1421

- Roller diameter 365 mm
- Roller length 2040 mm
- Electric or gas heating
- Output up to **96 kg/hour** with 25% residual moisture
- Output up to **57 kg/hour** with 50% residual moisture

The new features of the Miele rotary ironers

Miele rotary ironers are the ideal solution for professional and economical laundry care. They give a perfect, professional finish to your laundry – quickly, efficiently and economically.

New: Optional spring padding

Advantage: Consistent pressure; even dispersal of the steam vapours for a perfect laundry finish; economical as the padding does not need to be changed.

New: The HPC heater plate

Advantage: The new HIGH PERFORMANCE AND CAPACITY (HPC) heater plate has a large contact angle of 167°, giving a 13% longer contact path than on previous models, resulting in an improved ironing performance. The hard, anodised, very smooth surface of the heater plate does not need to be waxed as often as older models, guaranteeing optimum laundry care with fewer deposits.

New: The EASYFOLD TABLE

Advantage: The perfectly designed surface of the EasyFold table with its sculptured, perforated honeycomb surface is gentle on fabrics. The perforations at the points where hexagons meet induce rising thermal currents, cooling laundry on the feed-out table. The gentle flow of air through the feed-out table also stabilises the finish on laundry.

New: Strong polyester feed belts

Advantage: Feeding the laundry through the ironer is easier and more controlled, resulting in improved ironing performance and quality (no creased edges).

New: Flexible pick-off bands

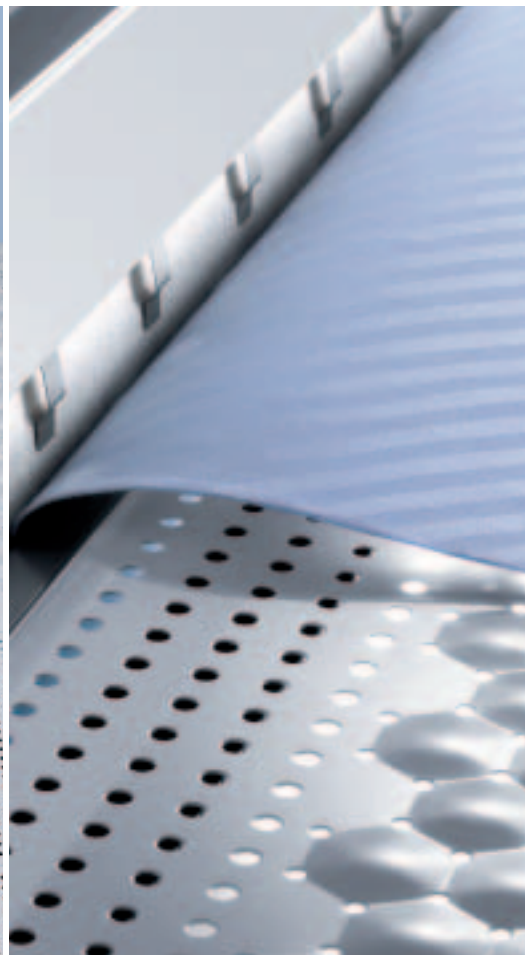
Advantage: No ironing marks on the textiles – even on heavy table linen.

New: The design

Advantage: Premium design to match the Miele washer-extractors and tumble dryers; clear control panel with large, easy-grip rotary dials and pushbuttons.

New: Freely positioned FLEX CONTROL foot control

Advantage: The external Flex Control foot control is a mobile unit which can be located in a position convenient to the operator.



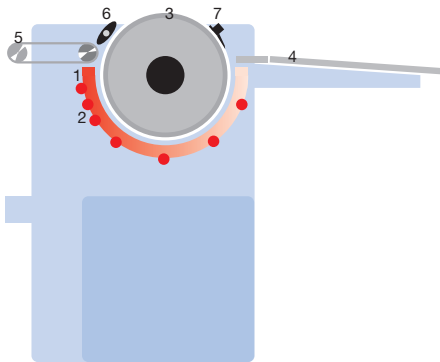
Proven Miele technology for a professional finish

Miele
PROFESSIONAL

New: Larger heating element on the feed-in side on electrically heated ironers; double burner technology on gas heated ironers.

Advantage: Ideal heat distribution; lower energy costs; increased performance

- 1 HPC heater plate
- 2 Ideal heat distribution
- 3 Spring padding
- 4 EasyFold table
- 5 Polyester feed-in belts
- 6 Finger guard
- 7 Flexible pick-off bands



For a long time now, Miele's HM and MM rotary ironers have been offering state-of-the-art technology to meet every need:

Wide range of roller diameters between 210 and 500 mm, to suit individual requirements.

Aluminium heater plates with outstanding heat distribution and up to four times faster heat-up time than steel heater plates.

Adjustable pressure via the **pneumatic lifting device on the heater plate** for an excellent finish.

Easy to use by single operator, with an optional return feed on larger models: Space-saving installation possible against a wall.

Foot control for conveniently stopping the roller, making ironing even easier.

Continuous speed and temperature control for an easy operation, even when ironing different types of fabric.

High heat-up performance with a minimum of energy consumption: The Miele ironers only produce heat when they need it. For example, the 4-stage temperature control on the large MM ironers provides accurate heat distribution on the heater plate – exactly where it is needed.

With a residual moisture level of 50% after being washed in a Miele washer-extractor, laundry can be fed through the ironer at high power (40 kW) without being dried beforehand. Up to 99 kg of laundry can be processed in the rotary dryer in an hour, depending on the residual moisture level and on the model.

Miele rotary ironers create an absolutely outstanding finish to your linen without the use of starch.



A size for all flatwork finishing

For professional purposes

Residual moisture level of 15–25%



HM 21-100

- Roller diameter 210 mm
- Roller length 1005 mm
- Electric heating
- Output up to **23 kg/hour** with 15% residual moisture
- Output up to **14 kg/hour** with 25% residual moisture
- Return feed, making wall installation possible



HM 21-140

- Roller diameter 210 mm
- Roller length 1395 mm
- Electric heating
- Output up to **27 kg/hour** with 25% residual moisture
- Return feed, making wall installation possible



HM 5316

- Roller diameter 250 mm
- Roller length 1650 mm
- Electric heating
- Output up to **47 kg/hour** with 25% residual moisture
- Return feed, making wall installation possible

High performance rotary ironers

Residual moisture level 46–53%



MM 50-175

- Roller diameter 500 mm
- Roller length 1750 mm
- Electric heating
- Output up to **80 kg/hour** with 46% residual moisture
- Output up to **70 kg/hour** with 53% residual moisture

MM 50-205

- Roller diameter 500 mm
- Roller length 2040 mm
- Electric heating
- Output up to **99 kg/hour** at 46% residual moisture
- Output up to **86 kg/hour** at 53% residual moisture

Rotary ironers Residual moisture 15–25%

Model number	HM 21-100	HM 21-140	HM 5316
Roller diameter [mm]	210	210	250
Roller length [mm]	1005	1395	1650
Aluminium heater plate	•	•	•
Cover: steel wool padding with ARAMID needle felt cloth	•	•	•
Heating, electric (EL)	EL	EL	EL
Electrical connection (electric heating)			
3 N AC 380–415 V 50–60 Hz convertible to 230 V	•	–	–
3 N AC 380–415 V 50 Hz	–	•	–
3 N AC 380–400 V 50 Hz	–	–	•
Heater rating [kW]	4.4	6.5	11
Total connected load [kW]	4.55	6.9	11.9
Fuse rating [A]	3 x 16	3 x 16	3 x 20
Heater rating 230 V [kW]	3.45		
Total connected load [kW]	3.3		
Fuse rating 230 V [A]	1 x 16		
Output			
Roller speed [m/min]	1.3–3.5	1.8–5.7	1.2–3.9
Roller speed [rpm]	2.0–5.3	2.7–8.6	1.5–5.0
15% residual moisture [up to kg/h]*	23	–	–
25% residual moisture [up to kg/h]*	14	27	47
Laundry return feed			
To the front	•	•	•
Dimensions, weight			
External dimensions H/W/D [mm]	986/1280/415	1055/1644/670	1040/2160/590
Weight [kg]	77	117	216

The **new** rotary ironers Residual moisture 25–50%

Model number	PM 1318	PM 1418	PM 1421
Roller diameter [mm]	300	365	365
Roller length [mm]	1750	1750	2040
Usable roller width with spring padding [mm]	1690	1690	1980
HPC heater plate	•	•	•
Cover: steel wool padding with ARAMID needle felt cloth	•	•	•
Heating, electric (EL) gas (G)	EL/G	EL/G	EL/G
Electrical connection (electric heating)			
3N AC 380–415 V 50 Hz	•	•	•
Heater rating [kW]	17.6	21.4	22.9
Total connected load [kW]	18.4	22.2	23.7
Fuse rating [A]	3 x 35	3 x 50	3 x 50
Exhaust connection [DN]	75 (G: 120)	75 (G: 120)	75 (G: 120)
Output (electric heating)			
Roller speed [m/min]	1.2–4.9	1.5–6.0	1.5–6.0
Roller speed [rpm]	1.3–5.2	1.3–5.2	1.3–5.2
25% residual moisture [kg/h]*	75	90	96
50% residual moisture [kg/h]*	45	54	57
Laundry feed			
Throughfeed	•	•	•
Return feed	Optional	Optional	Optional
Dimensions, weight (electric heating)			
External dimensions H/W/D [mm]	1318/2540/1150	1318/2540/1150	1318/2830/1150
Weight [kg]	386	398	441

Rotary ironers Residual moisture 46–53%

Model number	MM 50-175	MM 50-205
Roller diameter [mm]	500	500
Roller length [mm]	1750	2040
Aluminium heater plate	•	•
Cover: steel wool padding with ARAMID needle felt cloth	•	•
Heating, electric (EL)	EL	EL
Electrical connection (electric heating)		
3 N AC 380–415 V 50 Hz	•	•
Heater rating [kW]	40	44.1
Total connected load [kW]	42	46
Fuse rating [A]	3 x 63	3 x 63
Exhaust connection (DN)	100	100
Output		
Roller speed [m/min]	1.4 – 8.5	1.4 – 8.5
Roller speed [rpm]	0.9 – 5.4	0.9 – 5.4
46% residual moisture [kg/h]*	80	99
53% residual moisture [kg/h]*	70	86
Laundry return feed		
To the rear	•	•
To the front with return feed module	Optional	Optional
Dimensions, weight (electric heating)		
External dimensions H/W/D [mm]	1150/2454/1747	1150/2741/1747
Weight [kg]	860	925

Rotary ironers – Output chart

	Roller diameter [mm]	Roller length [mm]	Output with residual moisture [kg/h]				
			15%	25%	46%	50%	60%
HM 21-100	210	1005	23	14			
HM 21-140	210	1395		27			
HM 5316	250	1650		47			
NEW							
PM 1318	300	1750		75		45	
PM 1418	365	1750		90		54	
PM 1421	365	2040		96		57	
MM 50-175	500	1750			80		70
MM 50-205	500	2040			99		86

* Output figures according to DIN 11 902

The output levels achieved in practice are on average 20–40% lower than the maximum output level. The actual output depends on the skill and experience of the operator, the type of laundry being handled, how it is pre-sorted, the condition of the rotary ironer and the standard of finish required.

Miele Company Limited
Fairacres
Marcham Road
Abingdon
Oxon OX14 1TW

Internet: www.miele.co.uk
E-mail: info@miele.co.uk

Internet: www.miele-professional.co.uk
E-mail: info@miele.co.uk

Telephone: (01235) 554455
Telefax: (01235) 554477

Miele worldwide:

AUSTRALIA

Miele Australia Pty. Ltd.
Box 381
Ferntree Gully,
Melbourne, VIC 3156
Tel. +61(0)3/97 64 71 00
Telefax +61(0)3/97 64 71 29

AUSTRIA

Miele Gesellschaft mbH.
Zentrale Salzburg
Mielestr. 1
5071 Wals/Salzburg
Tel. +43(0)6 62/85 84-4 26
Telefax +43(0)6 62/85 84-419

BELGIUM

N.V. Miele S.A.
1730 Mollem
Industriezone Asse 5, Nr. 22.1
Hof te Bollebeeklaan 9
Tel. +32(0)2/451.14.11
Telefax +32(0)2/451.14.14

CANADA

Miele Limited
55G East Beaver Creek Road
Richmond Hill, Ontario L4B 1E5
Tel. +1(0)9 05/7 07-11 71
Telefax +1(0)9 05/7 07-01 77

CZECH REPUBLIC

Miele spol. s.r.o.
61700 Brno, Hněvkovského 81B
Tel. +42(0)5/4 35 53-1 11
Telefax +42(0)5/4 35 53-1 19

DENMARK

Miele A/S
2600 Glostrup, Erhvervsvej 2
Tel. +45 43 27 11 00
Tel. Salg/Professional
+45 43 27 15 00
Tel. Jylland +45 97 12 70 66
Telefax hovednr. +45 43 27 11 09
Telefax Salg/Professional
+45 43 27 15 09

FINLAND

Miele Oy
01200 Vantaa, Porttikaari 6
Tel. +358(0)9/87 59 70
Telefax +358(0)9/87 59 72 99

FRANCE

Miele S.A.S.
93151-Le Blanc-Mesnil (Paris)
9 avenue Albert Einstein
Tel. +33(0)1/49 39 34 35
Telefax +33(0)1/49 39 44 38

GERMANY

Miele & Cie. KG
Carl-Miele-Straße 29
33332 Gütersloh
Tel.: 0 180 220 21 21 (6 ct/min)*
Fax: 0 180 111 20 30*
*Only in Germany
www.miele-professional.de
info@miele.de

GREECE

Miele Hellas GmbH
154 51 N. Psychiko-Athen
Mesogion 257
Tel. national 01/10 6 79 44 44
international 00 30/2/10 6 79 44 44
Telefax 01/10 6 79 42 09
international 00 30/2/10 6 79 42 09

HUNGARY

Miele Kft.
Hungária krt. 179 - 187
1146 Budapest
Tel. national 061/4 22-31 80
international 00361/4 22-31 80
Telefax +3(0)61/3 83 -93 04

HONG KONG

Miele Hong Kong Ltd.
AIA Plaza, Room 401, 4th Floor,
18 Hysan Avenue,
Causeway Bay, Hong Kong
Tel. +852/26101331
Fax +852/26101013

IRELAND

Miele Ireland Ltd., Dublin 24
Broomhill Road
Tallaght
Tel. +353(0)1/461 07 10
Telefax +353(0)1/461 07-97

ITALY

Miele Italia G. m. b. H.
39057 Eppan
Umfahrungsstraße 27
Tel. +39 04 71/66 61 11
Telefax +39 04 71/66 63 34

JAPAN

Miele Japan Corp.
150-0044 Tokyo, Shibuya-ku
Maruyamacho 3-6,
E Space Tower 11F
Tel.: +81-3-57 84-0036
Fax: +81-3-57 84-0037

LUXEMBOURG

Miele s.à r.l.
20, Rue Christophe Plantin
2339 Luxembourg
Tel. +352/4 97 11-25
Telefax +352/4 97 11-39

MEXICO

Miele S.A. de C.V.
Av. Santa Fé 170
German Centre 0-4-2
Col. Lomas de Santa Fé
01210, México, D.F.
Tel. +52/55/85 03 98 70 und
+52/55/85 03 98 73
Telefax +52/55/85 03 98 74

NETHERLANDS

Miele Nederland B.V.
4131 NR Vianen, De Limiet 2
Tel. +31(0)3 47/37 88 83
Telefax +31(0)3 47/37 84 29

NORWAY

Miele AS
Løxaveien 13
1351 Rud
Tel. +47/67 17 31 00
Telefax +47/67 17 31 10

POLAND

Miele Sp. z. o. o.
02-683 Warszawa
Ul. Gotarda 9
Tel. +48/22/5 48 40 00
Telefax +48/22/5 48 40 10

PORTUGAL

Miele Portuguesa, Lda.
Av. do Forte, 5
2795-504 Carnaxide
Tel. +351/21/42 48-100
Telefax +351/21/42 48-109

RUSSIA

000 Miele CIS
129164 Moskau
Zubarev per., 15-1
Tel. +7/095/745 89 90
Telefax +7/095/745 86 80

SINGAPORE

Miele Pte. Ltd.
163 Penang Road #04-02/03
Winsland House II
Singapore 238463
Tel. +65/67 35 11 91 oder
+65/65 62 88 95
Telefax +65/67 35 11 61

SLOVAKIA

Miele spol. s. r. o.
Plynárenská 1
82109 Bratislava
Tel. +421/2/53 63 37 37
Telefax +421/2/53 63 37 46

SLOVENIA

Werkkundendienststelle
Miele d.o.o.
Brodisce 15
1236 Trzin

SOUTH AFRICA

Miele SA (Pty) Ltd.
63 Peter Place
Bryanston 2194
PO Box 69434
Bryanston 2021
Tel. +27(0)11/5 48-19 00
Telefax +27(0)11/5 48-19 35

SPAIN

Miele S.A.
28108 Alcobendas (Madrid)
Carretera de Fuencarral, 20
Tel. +34/91/6 23 20 00
Telefax +34/91/6 62 02 66

SWEDEN

Miele AB
Industrivägen 20
171 27 Solna
Tel. +46(0)8/5 62 29-000
Telefax +46(0)8/5 62 29-209

SWITZERLAND

Miele AG
8957 Spreitenbach
Limmatstr. 4
Tel. +41(0)56/4 17 20 00
Telefax +41(0)56/4 17-24 69

TURKEY

Miele Elektrikli Aletler
Diş. Tic. ve Paz. Ltd. Şti.
Güvercin Sokak No. 10
80620 Levent-Istanbul
Tel. +90/2 12/3 25 84 40
Telefax +90/2 12/3 25 84 49

UKRAINE

TOV Miele
Podil Plaza
30 A, Spasskaya St.
04070 Kiev

USA

Miele, Inc.
9 Independence Way
Princeton, NJ 08540
Tel. 001-800/843 72 31
Telefax 001-609/419 42 41

OTHER COUNTRIES:

Sales International
Miele & Cie. KG
Carl-Miele-Straße 29
33332 Gütersloh
Tel.: +49(0)52 41-89 15 07
Fax: +49(0)52 41-89 15 00

Please do not hesitate to contact us if you require further information on these machines, or on any of our other products.

The images, logos, names and trading marks used in this brochure to identify Miele, our products and services are our proprietary marks whether registered or unregistered. These may only be used with the express permission of Miele.

Caring for the environment:

this brochure is printed on paper bleached without the use of chlorine